

Product Information

Temperature Controller 5310



Characteristics

- 2-point, 3-point-, 3-point-step and continuous-controller
- Input for Pt100 (RTD), Thermocouple and standard signals
- Measuring ranges programmable
- Control method PID with auto-tuning
- 2. set value, start-up function, set value ramp
- Control output relay, electronic output 0/18V or continuous output 0/4..20 mA ; 0/2..10 V, burden dependent
- RS485-interface
- Alarm output relay SPDT
- True value analog output 0/4..20 mA, 0/2..10 V, burden dependent

Technical data

Power supply

Supply voltage : 230 V AC ± 10 %, 24 V DC ± 20 %
 Power consumption : < 4.5 VA
 Operating temp. : 0..50 °C
 CE-conformity : EN 50081-2, EN 50082-2

Input

RTD : Pt100, 2- or 3-wire
 -Monitoring : break of sensor/short circuit
 -Accuracy : ≤ 0.2 %
 Thermocouple : L, J, T, E, K, S
 -Monitoring : break of sensor, internal cold junction
 -Accuracy : ≤ 0.25 %
 Current : 0/4..20 mA
 Voltage : 0..10 V
 -Accuracy : ≤ 0.2 %

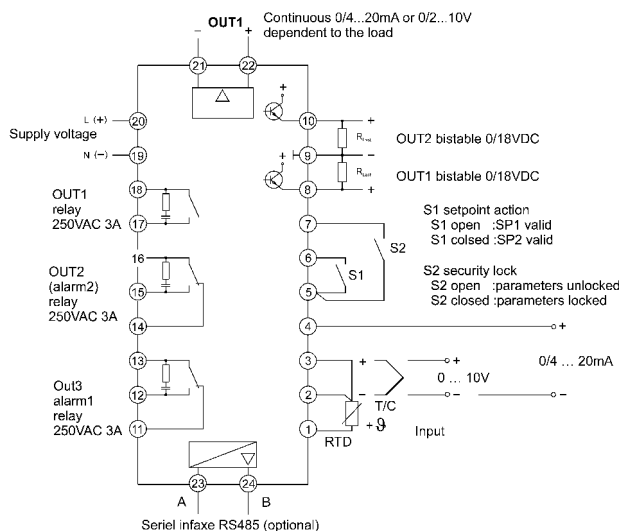
Output

Electronic : 0/18 V DC bistable, max. 10 mA
 Relay : controller <250 V AC <250 VA <3 A
 alarm <250 V AC <250 VA <3 A
 Continuous : 0/4..20 mA, burden max. 500 Ω
 0/2..10 V, load >1 kΩ

Display

True value : LED 4-digit red 10 mm
 Set value : LED 4-digit red 7.6 mm
 Decimal point : programmable
 Operating indication : LED red
 Case : panel mounting DIN 48x96 mm, material Noryl; UL94V-1
 Dimensions : Front 48x96 mm, mounting depth 112 mm
 Panel cut-out : 45 +0.6 mm x 92+0.8 mm
 Weight : approx. 450 g
 Connection : screw terminals,
 Protection class : front IP54, terminals IP20, acc. to BGV A3

Connection diagram



Ordering code

5310 - 10 - 9 - 11 - -

1. Output	
1	2-point-, 3-point-, 3-point-step controller
6	2-point-, 3-point-, 3-point-step- and continuous controller
2. Supply voltage	
7	230 V AC ± 10 % (internal 115 V selectable)
8	24 V DC ± 20 %
3. Interface	
00	without interface
40	serial RS 485